



| | |
|----|---------|
| VN | VIETNAM |
|----|---------|

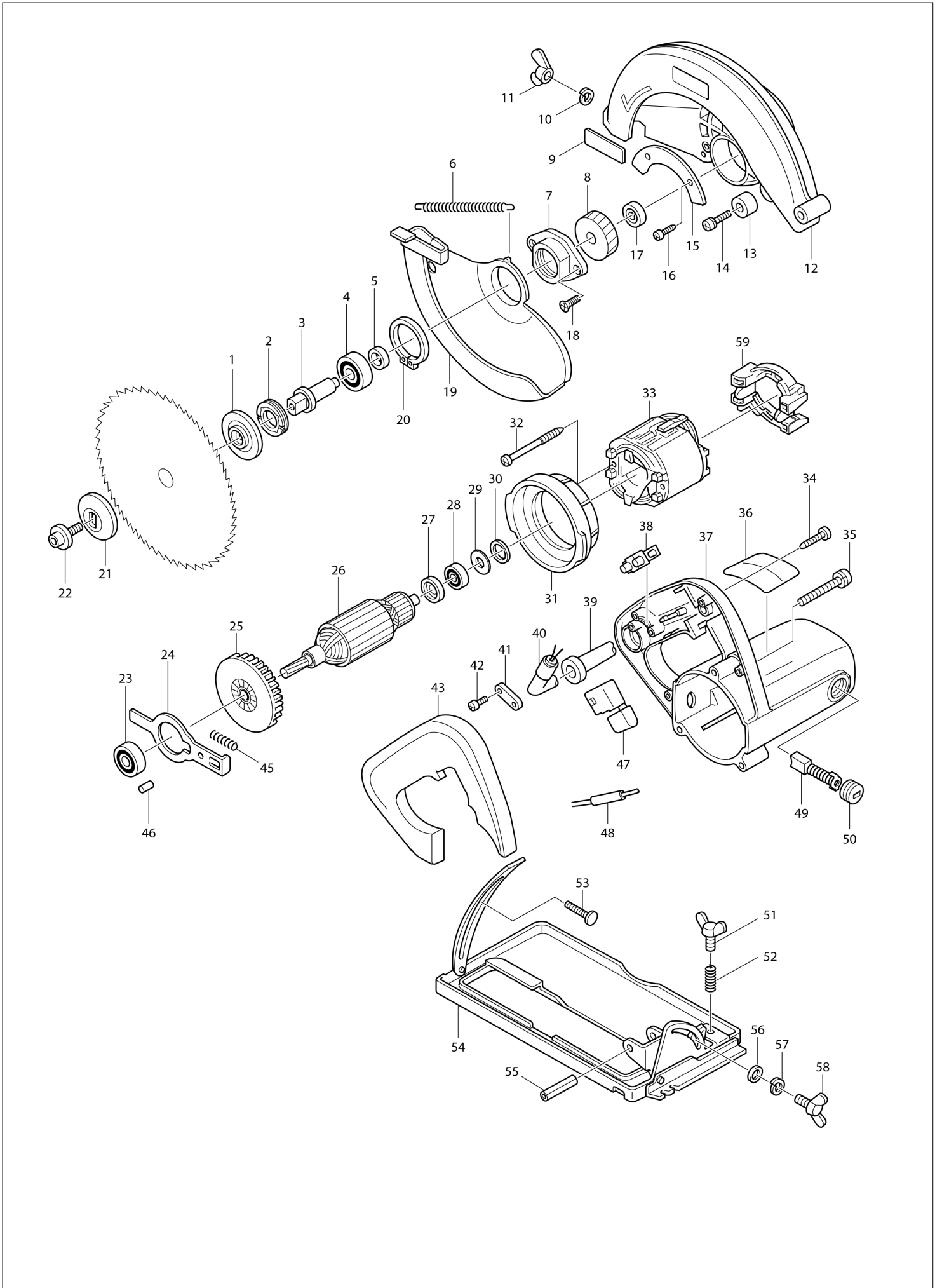
Diagram / Parts List

5806B

CIRCULAR SAW 185MM



(VN) 5806B / CIRCULAR SAW 185MM



| | |
|-----------|----------------|
| VN | VIETNAM |
|-----------|----------------|

5806B / CIRCULAR SAW 185MM

| Item | Sub | Parts No. | Parts Description | Qty | I/C | E/C No. | Close No. | Remark |
|-------|-----|-----------|--------------------------------|-----|-----|---------|-----------|--------|
| 001 | | 224180-0 | INNER FLANGE 45 | 1 | | | | |
| 002 | | 285802-7 | BEARING RETAINER 19-33 | 1 | | | | |
| 003 | | 322838-6 | SPINDLE | 1 | | | | |
| 004 | | 211129-9 | BALL BEARING 6201DDW | 1 | | | | |
| 005 | | 257173-2 | RING 12 | 1 | | | | |
| 006 | | 231808-3 | TENSION SPRING 4 | 1 | | | | |
| 007 | | 316849-1 | BEARING BOX | 1 | | | | |
| 008 | | 226461-8 | HELICAL GEAR 47 | 1 | | | | |
| 009 | | 819063-3 | MAKITA LABEL | 1 | | | 60428 | |
| 010 | | 942151-2 | SPRING WASHER 6 | 1 | | | C3118 | |
| 010-1 | | 253428-3 | SPRING WASHER 6 | 1 | O | C3118 | D1189 | |
| 011 | | 934301-3 | WING NUT M6 | 1 | | | | |
| 012 | | 152520-1 | BLADE CASE COMPLETE | 1 | | | | |
| | D10 | | INC. 46 | | | | | |
| 012-1 | | 152584-5 | BLADE CASE COMPLETE | 1 | X | 60428 | 68025 | |
| | D10 | | INC. 46 | | | | 68025 | |
| 012-2 | | 153664-0 | BLADE CASE COMPLETE | 1 | O | 68025 | 81574 | |
| | D10 | | INC. 46 | | | 68025 | 81574 | |
| 012-3 | | 153664-0 | BLADE CASE COMPLETE | 1 | O | 81574 | | |
| | D10 | | INC. 46 | | | 81574 | | |
| 013 | | 262502-6 | RUBBER SLEEVE 6 | 1 | | | | |
| 014 | | 251247-1 | + PAN HEAD SCREW M6X20 | 1 | | | | |
| 015 | | 344365-3 | COVER PLATE | 1 | | | | |
| 016 | | 266026-4 | TAPPING SCREW BIND CT 4X12 | 2 | | | | |
| 017 | | 211014-6 | BALL BEARING 606 | 1 | | | 82626 | |
| 017-1 | | 211012-0 | BALL BEARING 606ZZ | 1 | O | 82626 | | |
| 018 | | 912222-9 | COUNTERSUNK HEAD SCREW M5X16 | 2 | | | | |
| 018-1 | | 265034-2 | + COUNTERSUNK HEAD SCREW M5X16 | 2 | X | 52125 | | |
| 019 | | 165051-1 | SAFETY COVER | 1 | | | 68025 | |
| 019-1 | | 165367-4 | SAFETY COVER | 1 | O | 68025 | | |
| 020 | | 961155-5 | RETAINING RING S-38 | 1 | | | | |
| 021 | | 224329-2 | OUTER FLANGE 45 | 1 | | | | |
| 022 | | 266024-8 | HEX. SOCKET HEAD BOLT M6X20 | 1 | | | | |
| 023 | | 211097-6 | BALL BEARING 6000LLB | 1 | | | | |
| 024 | | 344317-4 | SHAFT LOCK | 1 | | | | |
| 025 | | 241858-0 | FAN 70 | 1 | | | | |
| 026 | | 516273-0 | ARMATURE ASS'Y 220V | 1 | | | | |
| | D10 | | INC. 23,25,27,28 | | | | | |
| 027 | | 681613-2 | INSULATION WASHER | 1 | | | | |
| 028 | | 211033-2 | BALL BEARING 608LB | 1 | | | | |
| 029 | | 253192-6 | FLAT WASHER 14 | 1 | | | | |
| 030-1 | | 261109-5 | RUBBER WASHER 13 | 1 | | | | |
| 031 | | 415873-2 | BAFFLE PLATE | 1 | | | | |
| 032-1 | | 266044-2 | TAPPING SCREW 5X60 | 2 | | | | |
| 033 | | 634158-9 | FIELD 220V | 1 | | | | |
| 033-1 | | 634413-9 | FIELD 220V | 1 | X | 62143 | | |
| 034-1 | | 266045-0 | TAPPING SCREW 4X20 | 4 | | | | |
| 035 | | 911268-2 | PAN HEAD SCREW M5X45 | 3 | | | | |
| 036 | | 851562-9 | NAME PLATE 5806B | 1 | | | 97467 | |
| 036-1 | | 851562-9 | NAME PLATE 5806B | 1 | O | 97467 | | |
| 037A1 | | 150952-6 | MOTOR HOUSING COMPLETE | 1 | X | 56070 | | |
| | C10 | 643708-9 | BRUSH HOLDER 5-11 | 2 | | | | |
| 037A2 | | 152869-9 | MOTOR HOUSING COMPLETE | 1 | X | 62411A | | |
| | C10 | 643708-9 | BRUSH HOLDER 5-11 | 2 | | | | |
| 039A | | 682505-8 | CORD GUARD 10-90 | 1 | | | | |
| 040J | | 691015-4 | POWER SUPPLY CORD 0.75-2-2.5 | 1 | | | | |
| 041A | | 687053-2 | STRAIN RELIEF | 1 | | | A7453 | |
| 041A1 | | 687140-7 | STRAIN RELIEF | 1 | O | A7453 | | |
| 042-2 | | 265995-6 | TAPPING SCREW 4X18 | 2 | | | | |
| 043 | | 415978-8 | HANDLE COVER | 1 | | | | |
| 045 | | 233092-6 | COMPRESSION SPRING 5 | 1 | | | | |
| 046 | | 263002-9 | RUBBER PIN 4 | 1 | | | | |
| 047A | | 651281-5 | SWITCH SGEL115CDY-5 | 1 | | | | |
| 048 | | 683184-5 | POLYETHYLENE TUBE 8-30 | 1 | | | | |
| 049 | | A-81664 | CARBON BRUSH CB-303A | 1 | | | 83185 | |

A:5806B(H)
C:5806B(H)

Interchange
O : Yes
X : No
< : the new part can be substituted for the current.
> : the current part can be substituted for the new.
S : Interchangeable as a set.

