



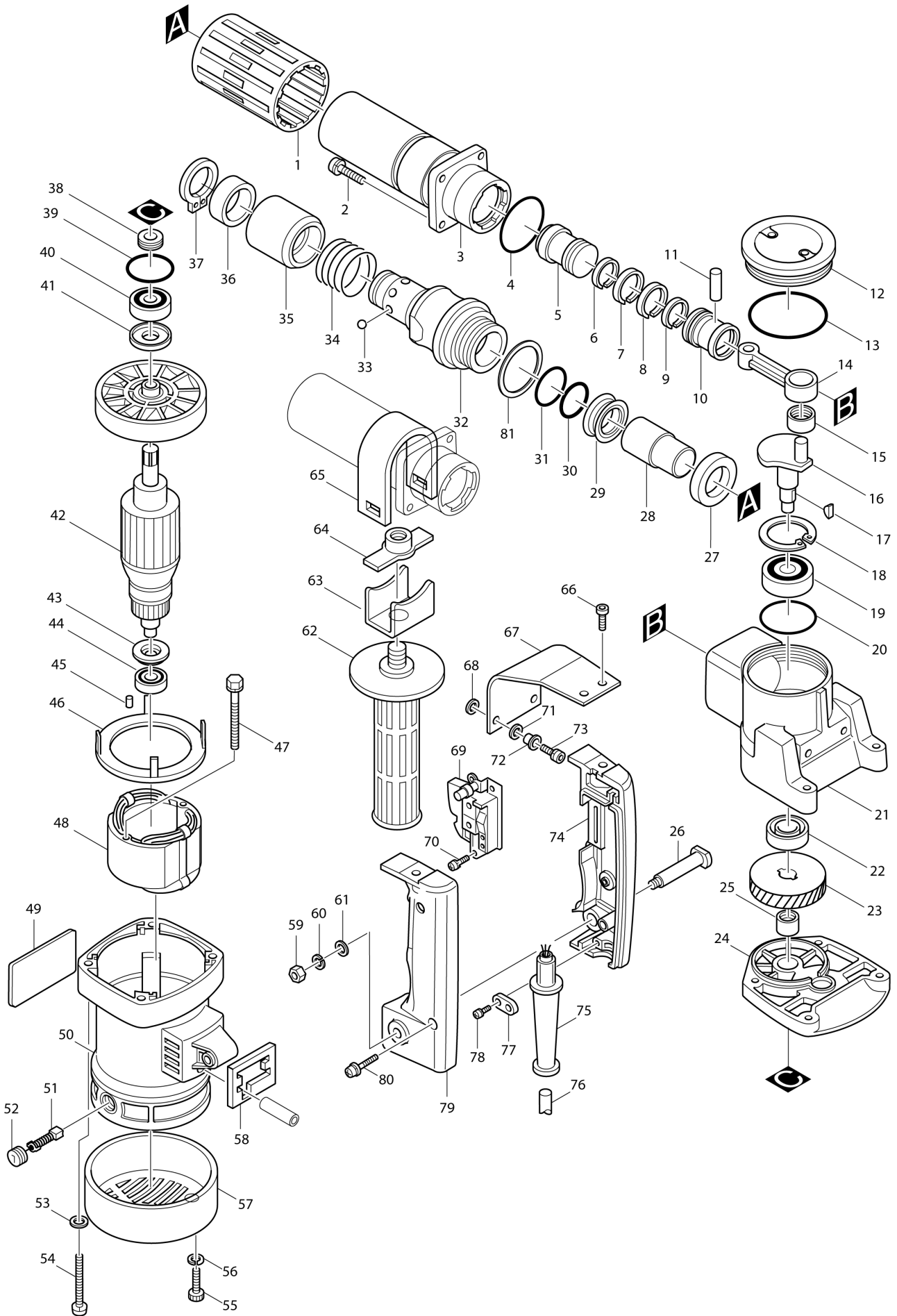
VN	VIETNAM
----	---------

# Diagram / Parts List

**HM0810TA**

**DEMOLITION HAMMER**

(VN) HM0810TA / DEMOLITION HAMMER



<b>VN</b>	<b>VIETNAM</b>
-----------	----------------

### HM0810TA / DEMOLITION HAMMER

Item	Sub	Parts No.	Parts Description	Qty	I/C	E/C No.	Close No.	Remark
001		421541-7	BARREL COVER	1			D8690	
001-1		421541-7	BARREL COVER	1	O	D8690		
002		922341-3	HEX. SOCKET HEAD BOLT M6X25	4				
003		151457-9	BARREL COMPLETE	1				
004		213554-0	O RING 44	1				
005		321929-0	STRIKER	1				
006		412073-5	INNER RING 26	1				
007		412053-1	PISTON RING 30	1				
008		412053-1	PISTON RING 30	1				
009		321514-9	INNER RING 26	1				
010		321958-3	PISTON	1				
011		256165-8	PIN 8	1				
012		411709-3	CRANK CAP	1				
013		213654-6	O RING 60	1				
014		312956-8	ROD	1				
015		212108-0	NEEDLE BEARING 1212	1				
016		321954-1	CRANK SHAFT	1				
017		254001-2	WOODRUFF KEY 4	2				
018		962203-3	RETAINING RING R-47	1				
019		211279-0	BALL BEARING 6303LLU	1				
020		213606-7	O RING 48	1				
021		157627-8	CRANK HOUSING COMPLETE	1				
	D10		INC. 20					
022		213260-7	OIL SEAL 17	1				
023		221669-9	HELICAL GEAR 41	1				
024		157628-6	GEAR HOUSING	1				
	D10		INC. 39					
025		212102-2	NEEDLE BEARING 1210	1				
026		321210-9	HANDLE SHAFT	1				
027		253955-0	FLAT WASHER 24	1				
028		321495-7	IMPACT BOLT	1				
029		213428-5	X RING 28	1				
030		213411-2	O RING 27	1				
031		213508-7	O RING 38	1				
032		193004-0	TOOL HOLDER SET	1				
	D10		INC. 31,33-37,81					
033		216004-4	STEEL BALL 7.9	6				
034		233191-4	COMPRESSION SPRING 30	1				
035		331518-3	CHANGE RING	1				
036		257206-3	RING 29	1				
037		961108-4	RETAINING RING S-28	1				
038		331194-3	SEAL	1				
039		213459-4	O RING 32	1				
040		211106-1	BALL BEARING 6201LLB	1				
041		213102-5	DUST SEAL 12	1				
042		516148-3	ARMATURE ASS'Y 220V	1				
	C10	241827-1	FAN 82	1				
	D10		INC. 40,41,43,44					
043		681625-5	INSULATION WASHER	1				
044		211031-6	BALL BEARING 608LLB	1				
045		263014-2	RUBBER PIN 4	1			A3973	
045-1		263002-9	RUBBER PIN 4	1	O	A3973		
046		410509-8	BAFFLE PLATE	1				
047		265345-5	+ HEX. BOLT M5X60	2				
048		522508-9	FIELD ASS'Y 220V	1				
	C10	654019-7	RING TERMINAL	2				
	C20	654501-6	CONNECTOR P-1.25	2				
049		814F67-6	HM0810TA NAME PLATE	1				
050		159634-7	MOTOR HOUSING	1				
	C10	643603-3	BRUSH HOLDER 6-10	2				
	D10		INC. 45					
051		B-80307	CARBON BRUSH SET CB-105A	1				
052		643600-9	BRUSH HOLDER CAP 6-10	2				
053		941151-9	FLAT WASHER 6	4			A3776	
054		922371-4	HEX. SOCKET HEAD BOLT M6X50	4			A3776	

Interchange  
O : Yes  
X : No  
< : the new part can be substituted for the current.  
> : the current part can be substituted for the new.  
S : Interchangeable as a set.

